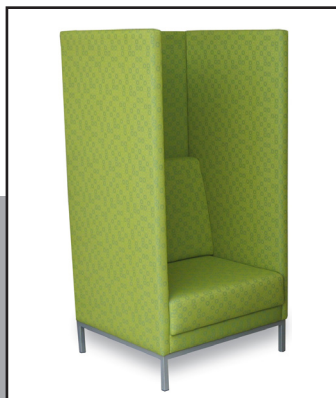
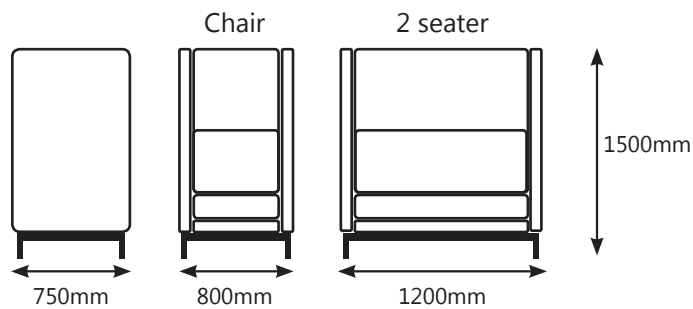


BLING BOOTH

The BLING BOOTH is a privacy-friendly design, ideal for personal communication, has a fixed seat cushion and comes standard with a metal powder-coated leg system and high density seat foam. Available in a huge range of covering options – fabrics, vinyls or leather and comes complete with a 10year guarantee.



BLING BOOTH DIMENSIONS



10yr
GUARANTEE

MADE
IN NZ

